

# PIANO

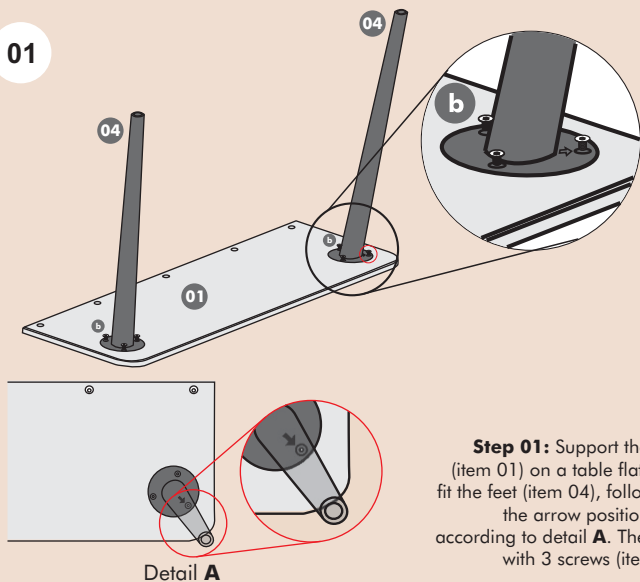
Table



## Instructions for assembly

Revised Feb/22

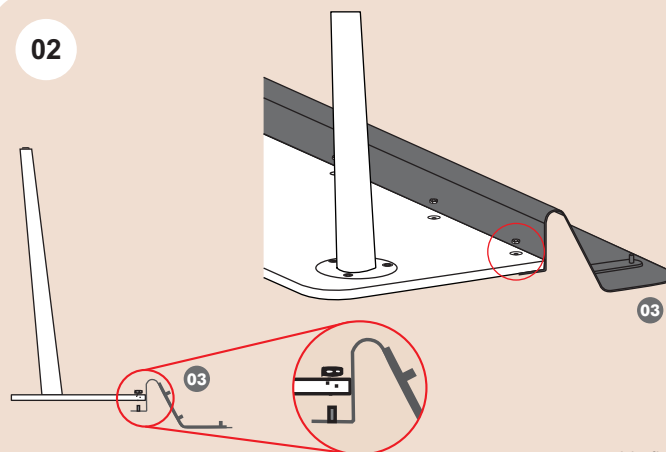
01



**Step 01:** Support the top (item 01) on a table flat and fit the feet (item 04), following the arrow positioning, according to detail **A**. Then fix with 3 screws (item c).

Detail **A**

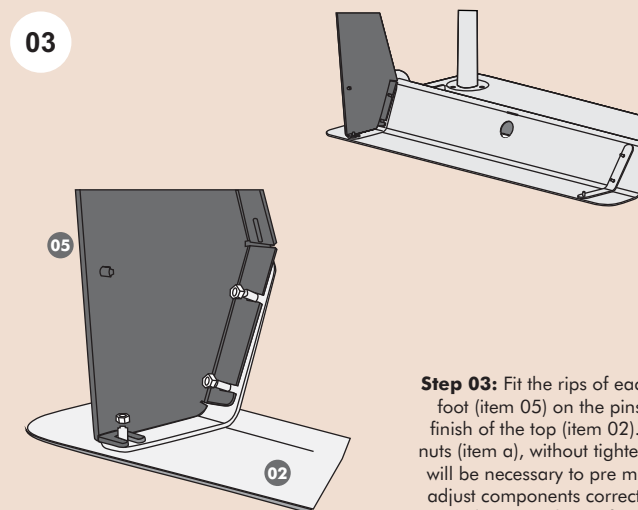
02



**Note:** Be careful not to tilt the top when is fitting in screws without the nuts.

**Step 02:** On a table flat, fit the set formed in step 01, on the top finish (item 03), as illustration. Fix the set with 5 hex nuts (item a).

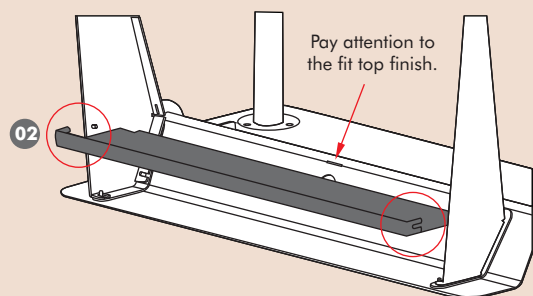
03



**Step 03:** Fit the ribs of each steel foot (item 05) on the pins of the finish of the top (item 02). Fit the nuts (item a), without tightening. It will be necessary to pre mount to adjust components correctly. This procedure must be performed for each steel foot.

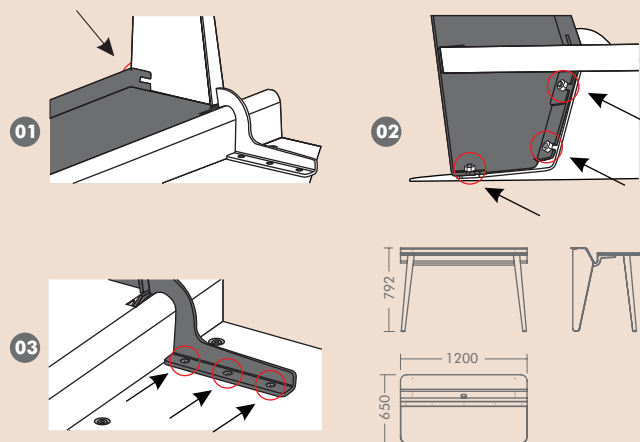
04

**Step 04:** To fit the rear shelf (item 02) on existing pins inner part of each foot (item 05) See the illustration below. After attaching the shelf, proceed with the fixings, following the sequence indicated in the next step (05).

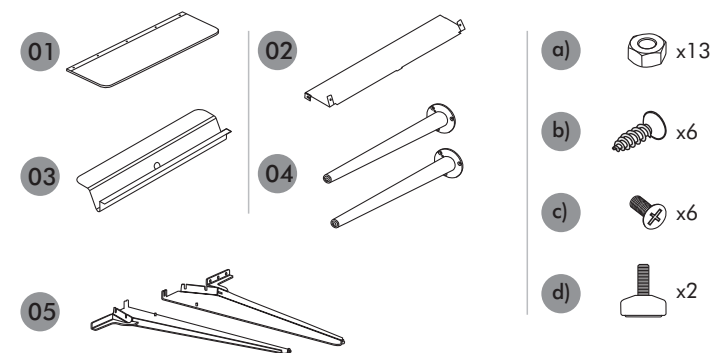


05

**Step 05:** After attaching the shelf, proceed with the fixations, following the sequence indicated below.



### Box contents



01 - Wooden top  
02 - Top finish  
03 - Rear shelf  
04 - Wooden feet with flange (front)  
05 - Steel feet (rear)

a- Hex nuts M6  
b- Screws PHC CH Chipboard M5  
c- Screws PHL CH Allen M6  
d- Height adjustable shoe